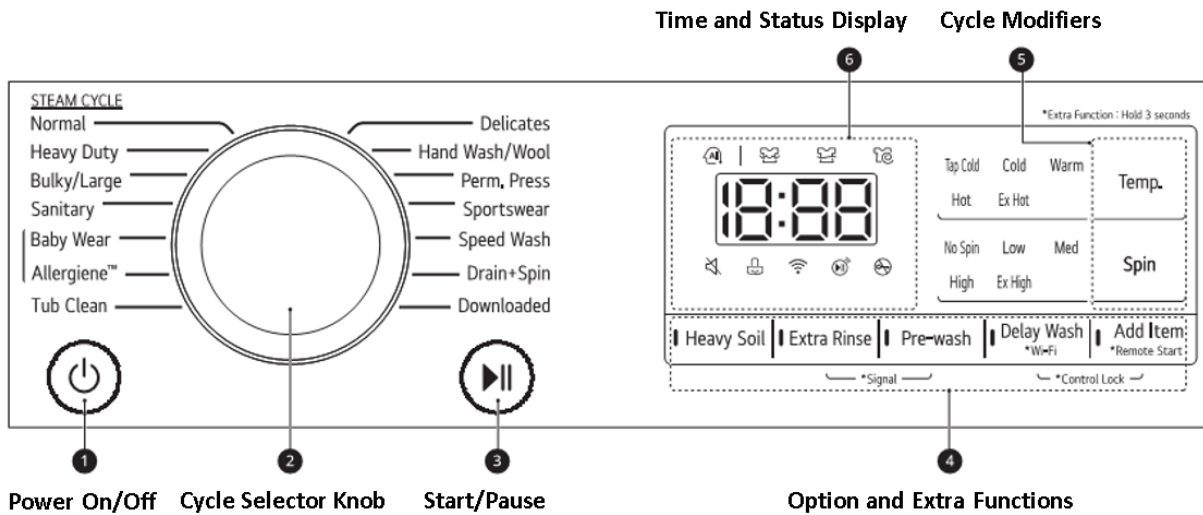


Washer-Dryer Operation Manual

Steps for Washer Operation

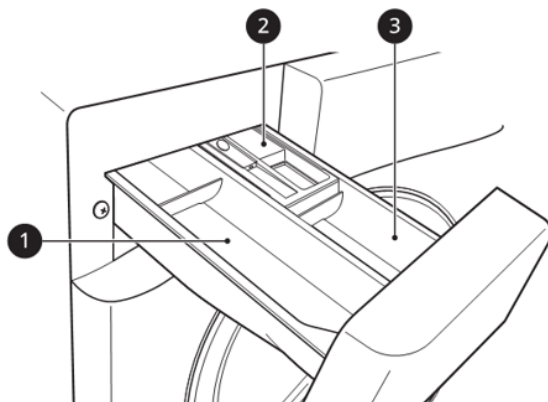


a. Sort laundry and load the washer.

- Sort laundry by fabric type, soil level, color, and load size as needed. Open the door and load items into the washer.
- If using single-use detergent packs, or gel or tablet detergents, place them in the drum before loading the laundry.

b. Add cleaning products.

- Add the proper amount of **HE (High-Efficiency) detergent** to the detergent dispenser.
- If desired, add bleach or fabric softener to the appropriate areas of the dispenser drawer.
- Do not place liquid or powdered detergent packs, or gel or tablet detergents in the dispenser.



1. Main wash detergent compartment

2. Liquid fabric softener compartment

3. Pre-wash detergent compartment

c. Turn on the washer.

- Press the Power button to turn on the washer.

d. Select a cycle.

- Turn the cycle selector knob or press the cycle buttons repeatedly until the desired cycle is selected.
- The preset wash temperature, spin speed, soil level, and option settings for the selected cycle are shown.
- The Normal cycle must be selected in order to change its default settings.
- Pressing the Start/Pause button without selecting a cycle immediately starts the Normal cycle with the default settings.

e. Adjust settings.

- Default settings for the selected cycle can be changed, if desired, using the cycle modifier and option buttons.
- Not all modifiers and options are available on all cycles. A different chime sounds and the LED does not light up if the selection is not allowed.

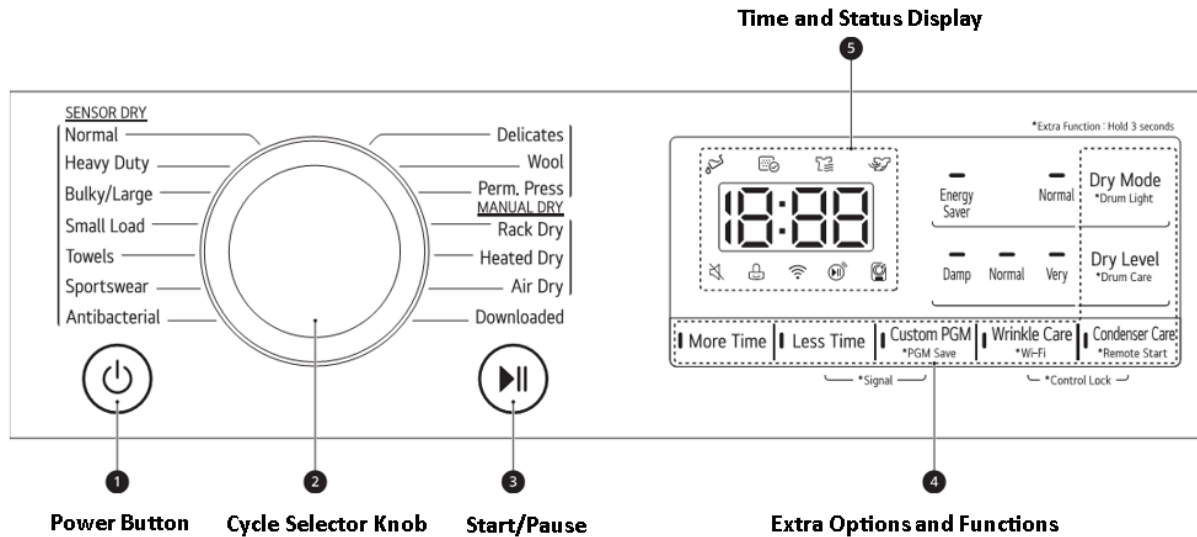
f. Begin cycle.

- Press the Start/Pause button to begin the cycle. The door locks, and the washer agitates briefly without water to measure the weight of the load.
- If the Start/Pause button is not pressed within a certain time, the washer shuts off and all settings are lost.

g. End of cycle.


- When the cycle is finished, a melody sounds. Immediately remove the clothing from the washer to reduce wrinkling.
- Check around the door seal when removing the load for small items that may be caught in the seal.

Steps for Dryer Operation



a. Ensure the lint filter and water container are clean.

- Open the door and ensure the lint filter is clean. When the filter is full of lint, drying times will be longer than usual.
- Pull out the water container and empty the condensed water. When the water container is full, the appliance may stop during the cycle.

NOTE: In some cases, the  icon may appear on the control panel to indicate that the water container needs to be emptied.

b. Place the clothes into the drum after sorting and close the door.

- Make sure that clothing is pushed entirely into the drum and away from the door seal area. Clothing that gets stuck between the door and seal may be damaged or damage the seal.
- Clothes should be sorted by fabric types and desired dryness level.
- All strings and attached belts of clothes should be well tied and secured before being put into the drum.

c. Press the Power button to turn the appliance on.

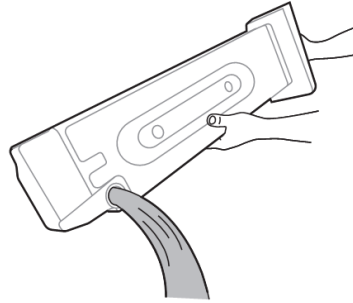
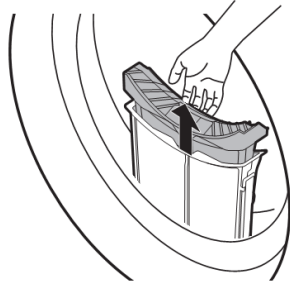
d. Choose a drying cycle by turning the cycle selector knob.

- If you press the Start/Pause button without choosing a cycle, the appliance will proceed with the Normal cycle. Please refer to the cycle table for detailed information.

e. Press the Start/Pause button to start the drying cycle.

f. After the drying cycle has finished,

- Open the door and unload the clothes.
- **CAUTION:** Be careful! The drum inside may still be hot.
- Press the Power button to turn the appliance off.
- Clean the lint filter and empty the water container.



- To help prevent odors, leave the dryer door slightly open to help air out the drum after use.